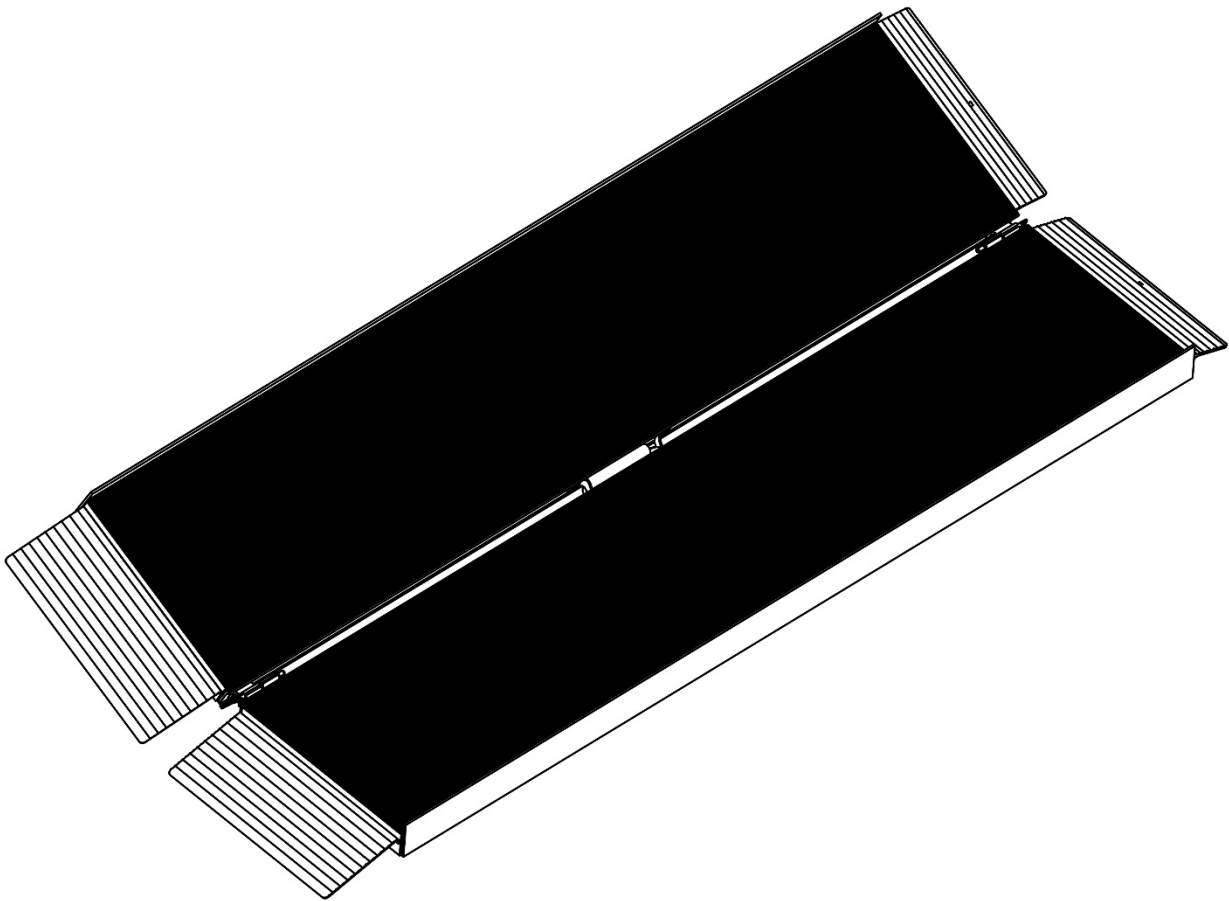


Instructions

SUITCASE® Singlefold AS Ramp

Portable ramp for temporary or semi-permanent use



Patented.
LIFETIME WARRANTY. Please register at www.ezaccess.com/warranty-satisfaction.
CE Technical Files kept at: Enable Access, Marshmoor Works Great North Road, North Horth Mymms Hatfield, AL9 5SD, UK.
© EZ-ACCESS®, a division of Homecare Products, Inc. All rights reserved.
All text and images contained in this document are proprietary and may not be shared, modified, distributed, reproduced, or reused without the express written permission of EZ-ACCESS.



SYMBOLS

- ⚠ The **WARNING** symbol indicates a potentially hazardous condition/situation. The warnings throughout this document, and on your equipment, if any, are for the protection of people and property. Failure to abide by warnings will result in a waiver of all liabilities, loss of your warranty, and could result in equipment damage and or failure, property damage, risk of serious bodily injury, and or death to operators, riders, and those nearby. The symbol may appear in various colors and in conjunction with other symbols.
- 🖐 The **NOTE** symbol indicates important information. Failure to obey all notes could result in improper operation, less-than-optimum equipment performance, and at the sole discretion of the equipment manufacturer, may void your warranty. The symbol may appear in various colors and in conjunction with other symbols.

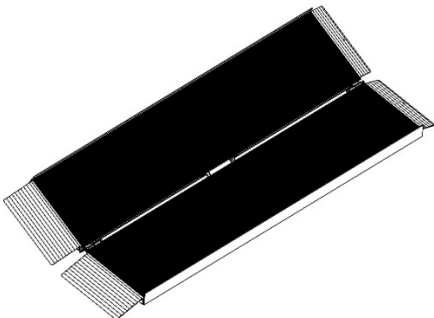
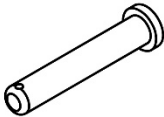
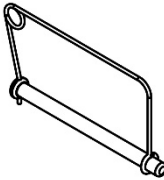

WARNINGS

- ⚠ Maximum weight capacity is 800 lbs.; never exceed weight capacity.
- ⚠ Prior to assembly and use, read and follow all instructions, warnings, and labels. Following all instructions and obeying all warnings before and during use is necessary for safe operation. For additional information or to obtain replacement copies of instructions or labels, call 1-800-451-1903.
- ⚠ For wheelchairs and scooters only; not for commercial use.
- ⚠ Before use, refer to your mobility equipment's owner guide for acceptable ramp usage, including proper slope/incline, chair direction, etc.; never exceed its recommendations.
- ⚠ Only use the ramp with a qualified helper and always use a lap belt.
- ⚠ Before each use, check the ramp for worn, loose, or damaged parts. If you find any of these conditions, do not use the ramp. Contact your dealer for service or repairs; failure to do so may cause injury.
- ⚠ Do not use the ramp if it is damaged or unstable.
- ⚠ Do not tamper with, attempt to repair, or modify any portion of the ramp.
- ⚠ Use caution when folding and unfolding the ramp to avoid all potential pinch points.
- ⚠ Ensure that the landings the ramp will be placed on are substantial and of sound construction.
- ⚠ Use only if the secure, unobstructed, level landings can support, at minimum, the same weight capacity as the ramp (800 lbs.).
- ⚠ Ensure that the surface area of both top lip transition plates fully overlaps a secure, unobstructed, level landing enough to safely install provided clevis pins or other non-provided anchoring hardware, and rests firmly against the upper landing. If a secure, unobstructed, level landing cannot be attained, do not use the ramp.
- ⚠ Ensure that the ramp is securely anchored before each use.
- ⚠ Use only if sufficient maneuvering room is available at both ends of the ramp to assure safe travel when entering and exiting the ramp.
- ⚠ The ramp surface may be slippery in wet conditions; use caution if the surface is wet as traction may be reduced.
- ⚠ Do not use the ramp if its surface is covered with ice, snow, dirt, leaves, or other debris. Remove all accumulations and sweep the surface clean before use.
- ⚠ Improper use of the ramp could result in serious injury.
- ⚠ Always exercise caution when handling, installing, and or using the ramp.

GETTING STARTED

1. Read this instruction manual in its entirety before use and follow all instructions before and during use.
2. Before use, refer to your mobility equipment's owner guide for acceptable ramp usage, including proper slope/incline, chair direction, etc.; never exceed its recommendations.
3. Before each use, check the ramp for worn, loose, or damaged parts. If you find any of these conditions, do not use the ramp.
4. Confirm that all package contents are present. Open the shipping box and inspect for damaged or missing parts. If damaged or missing parts are noted, do not use the ramp.

PACKAGE CONTENTS

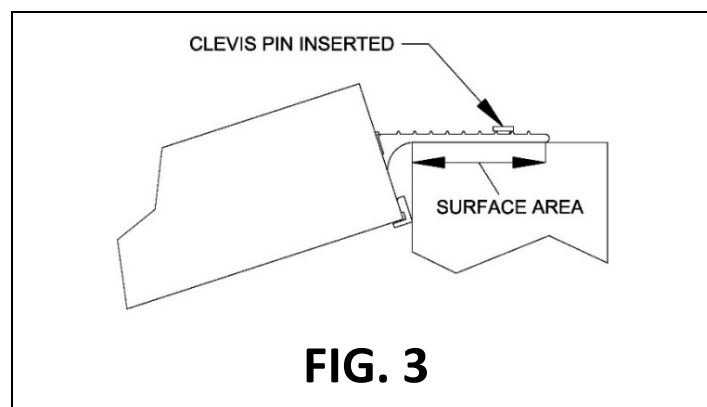
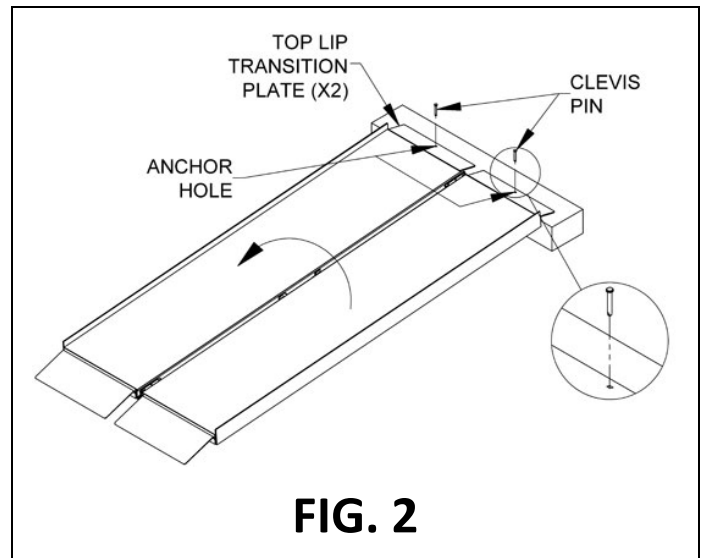
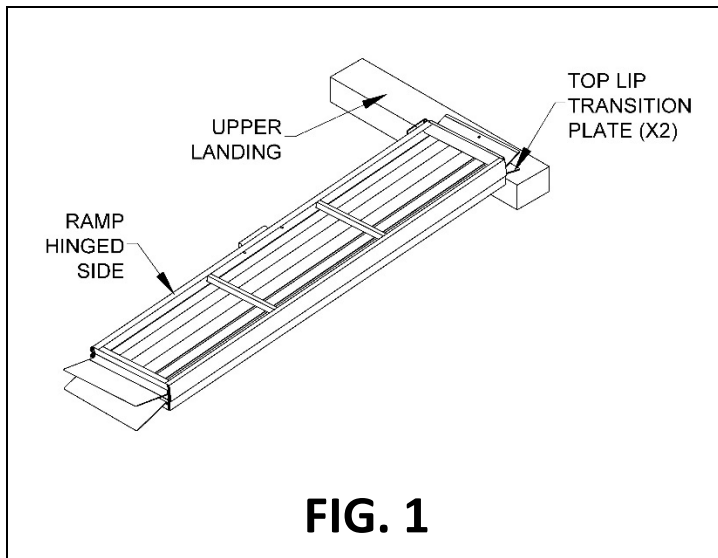
QTY	DESCRIPTION	IMAGE (NOT SHOWN TO ACTUAL SIZE)
1	EZ-ACCESS® SUITCASE® SINGLEFOLD AS RAMP	
2	CLEVIS PIN	
2	HINGE PIN	
1	INSTRUCTIONS	

CARE AND MAINTENANCE

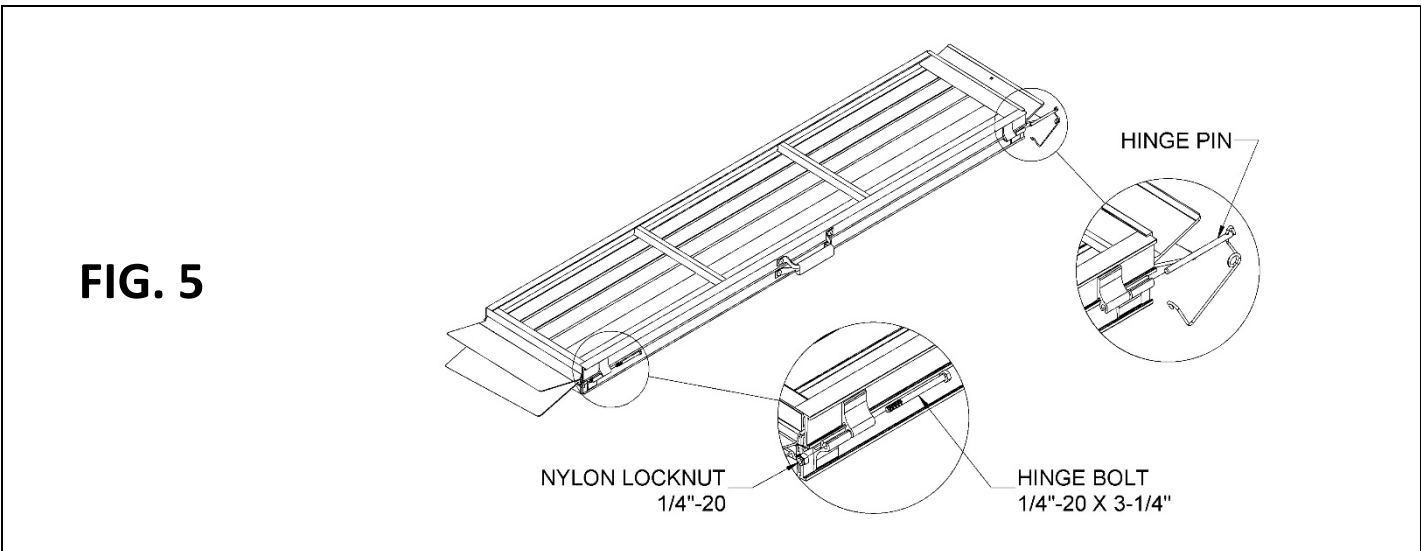
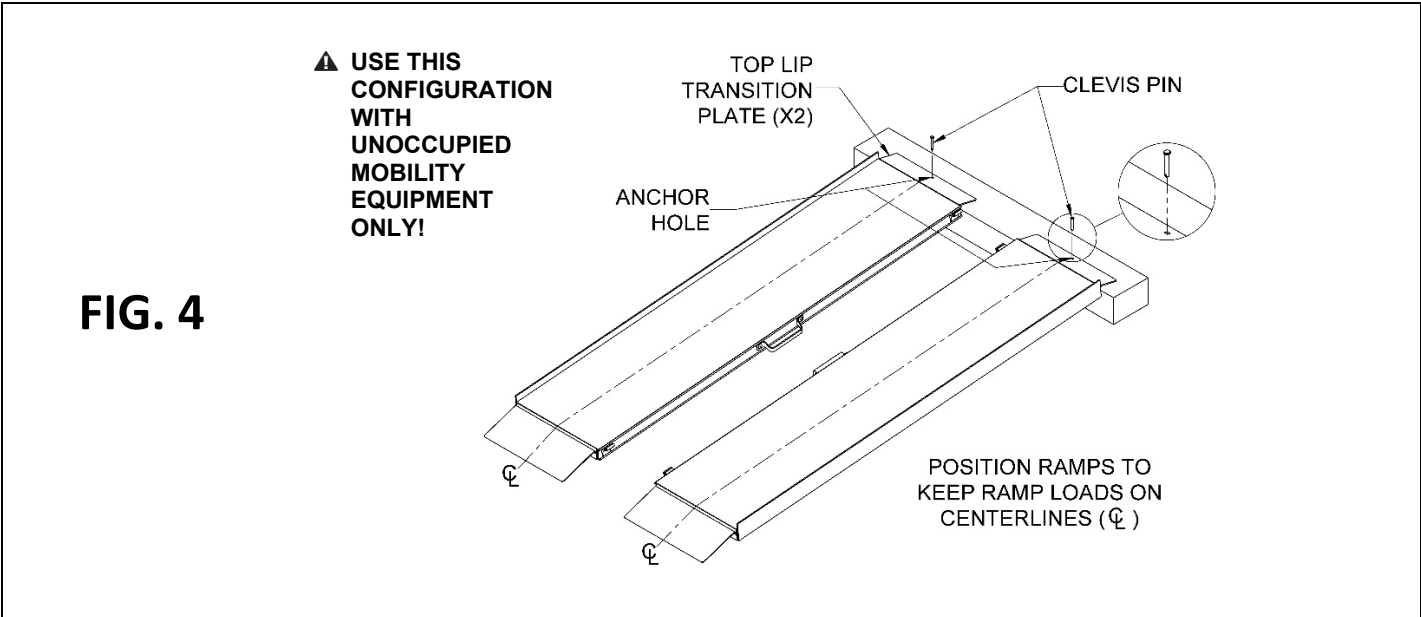
1. Before each use, check the ramp for worn, loose, or damaged parts. If you find any of these conditions, do not use the ramp.
 - ▲ Do not tamper with, attempt to repair, or modify any portion of the ramp.
2. Keep the ramp surface clear of ice, snow, dirt, leaves, and other debris. For ice and or snow, remove all accumulations and sweep surface clean. For dirt, leaves, and other debris, sweep surface or wash with a soft bristle brush and non-alkaline detergent; rinse well.
 - ▲ The ramp surface may be slippery in wet conditions. Use caution if surface is wet as traction may be reduced.
3. Store the ramp in a cool, dry place when not in use.

SET UP AND USE

1. The ramp is shipped fully assembled. To unfold for use, position the folded ramp so that the top lip transition plate (located on the end of the ramp that is labeled TOP) fully overlaps a secure, unobstructed, level landing and is securely supporting the ramp (FIG. 1).
2. Unfold the ramp, exposing the applied slip-resistant tread surface, then center the ramp on the upper landing (FIG. 2).
3. Ensure that the surface area of both top lip transition plates fully overlaps a secure, unobstructed, level landing enough to safely install provided clevis pins or other non-provided anchoring hardware, and rests firmly against the upper landing (FIG. 3).
 - a. If the top lip transition plates are not long enough to fully overlap a secure, unobstructed, level landing, a SUITCASE® Top Lip Extension ('TLE') is an available option (sold separately). See 'OPTIONAL ACCESSORY' section for more information.
4. Securely anchor the ramp to the upper landing (FIG. 2).
 - ▲ Ensure that the ramp is securely anchored before each use.
 - a. TEMPORARILY: To attach temporarily using the provided clevis pins, position the ramp securely and use the hole in each top lip transition plate as a template to drill corresponding $\frac{1}{4}$ " holes into the upper landing (ensure drilled holes are deep enough to fully seat each clevis pin). Fully insert a clevis pin (FIG. 3) through the pre-drilled hole in each top lip transition plate and into the corresponding drilled holes in the landing.
 - b. SEMI-PERMANENTLY: To attach semi-permanently using non-provided anchoring hardware, position the ramp securely and use the hole in each top lip transition plate as a template to identify anchor locations. Install non-provided anchoring hardware flush with the surface of each top lip transition plate and ensure that it does not create a hazard.
 - 👉 Semi-permanent anchoring hardware is not provided.
 - ▲ When using non-provided anchoring hardware, follow hardware manufacturer's installation instructions, ensuring that hardware is of sufficient type and size to prevent ramp slippage or undo movement.



5. For stowage and transportation, or for loading unoccupied mobility equipment with a wider wheelbase, the ramp can be separated into two halves (FIG. 4) by removing (2 ea.) hinge bolts and nylon locknuts (FIG. 5).
 - ⚠ The ramp may be separated for use when loading or unloading unoccupied mobility equipment only. When the ramp is used with occupied mobility equipment, ensure that the ramp halves are rejoined as described in 'STEP 9'.
6. Place the two ramp halves in a position that facilitates the load being centered on each half (FIG. 4).
 - ⚠ Always keep ramp loads on the centerlines (FIG. 4).
7. Ensure that the surface area of both top lip transition plates fully overlaps a secure, unobstructed, level landing enough to safely install provided clevis pins or other non-provided anchoring hardware, and rests firmly against the upper landing (FIG. 3).
8. Securely anchor each ramp half before use (FIG. 4); refer back to 'STEP 4' for anchoring procedures.
9. The ramp halves can be rejoined using provided (2 ea.) hinge pins or (2 ea.) original hinge bolts and nylon locknuts by positioning the ramp as shown (FIG. 5).
 - a. Align hinges, then insert either a hinge pin or hinge bolt and nylon locknut into each hinge assembly.
 - b. If using hinge pins, ensure that the pins are closed and that the spring section of the pin is on the underside (non-treaded side) of the ramp. If using hinge bolts and nylon locknuts, tighten securely.
 - 👉 When hinge pins or hinge bolts and nylon locknuts are not in use, store in one side of the hinge.
 - ⚠ Be sure to always rejoin the ramp halves using the provided (2 ea.) hinge pins or (2 ea.) original hinge bolts and nylon locknuts.



OPTIONAL ACCESSORY

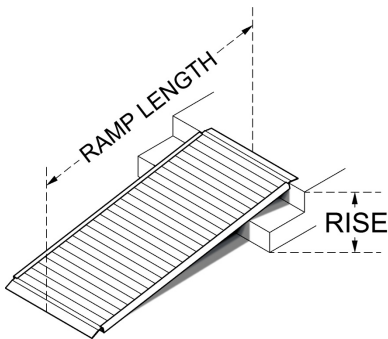
- If the ramp's top lip transition plates are not long enough to fully overlap a secure, unobstructed, level landing, a SUITCASE® Top Lip Extension ('TLE') is an available option that increases the standard 3" reach of the top lip transition plates to 9", in many cases, allowing the ramp to clear an obstruction to create a smooth transition. Visit www.ezaccess.com or call 1-800-451-1903 for more information.

- ▲ Use of the TLE reduces overall ramp weight capacity to 500 lbs.; never exceed weight capacity.
- ▲ If a secure, unobstructed, level landing cannot be attained, do not use the ramp.

INCLINE CHART

- ▲ An incline chart is provided below, however, it is intended only as a guideline. Before using the ramp, refer to your mobility equipment's owner guide for the proper slope/incline, acceptable usage, chair direction, etc.; never exceed its recommendations.

		RAMP LENGTH								
		2'	3'	4'	5'	6'	7'	8'	9'	10'
RISE	3"	7.2°	4.8°	3.6°	2.9°	2.4°	2.0°	1.8°	1.6°	1.4°
	4"	9.6°	6.4°	4.8°	3.8°	3.2°	2.7°	2.4°	2.1°	1.9°
	5"	12°	8.0°	6.0°	4.8°	4.0°	3.7°	3.0°	2.7°	2.4°
	6"	14.5°	9.6°	7.2°	5.7°	4.8°	4.1°	3.6°	3.2°	2.9°
	7"		11.2°	8.4°	6.7°	5.6°	4.8°	4.2°	3.7°	3.3°
	8"		12.8°	9.6°	7.7°	6.4°	5.5°	4.8°	4.2°	3.8°
	9"		14.5°	10.8°	8.6°	7.2°	6.2°	5.4°	4.8°	4.3°
	10"			12.0°	9.6°	8.0°	6.8°	6.0°	5.3°	4.8°
	12"			14.5°	11.5°	9.6°	8.2°	7.2°	6.4°	5.7°
	14"				13.5°	11.2°	9.6°	8.4°	7.4°	6.7°
	16"					12.8°	11.0°	9.6°	8.5°	7.7°
	18"					14.5°	12.4°	10.8°	9.6°	8.6°
	20"						13.8°	12.0°	10.7°	9.6°
	22"							13.2°	11.8°	10.6°
	24"							14.5°	12.8°	11.5°
	26"								13.9°	12.5°
28"								15.0°	13.5°	
30"									14.5°	



TO ESTABLISH THE PROPER RAMP LENGTH

- Determine the incline that your chair is designed to climb.
- Measure the rise (distance from top step, porch, van, etc. to the ground).
- Refer to Incline Chart to find proper ramp length.
 - ▲ At any incline, use ramp only with a qualified helper and always use a lap belt.